



M.S.KENNEDY CORP.

# HIGH SPEED, WIDEBAND OPERATIONAL AMPLIFIER

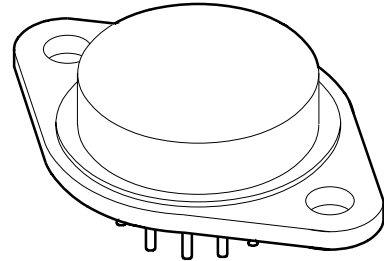
# 3554

4707 Dey Road Liverpool, N.Y. 13088

(315) 701-6751

**FEATURES:**

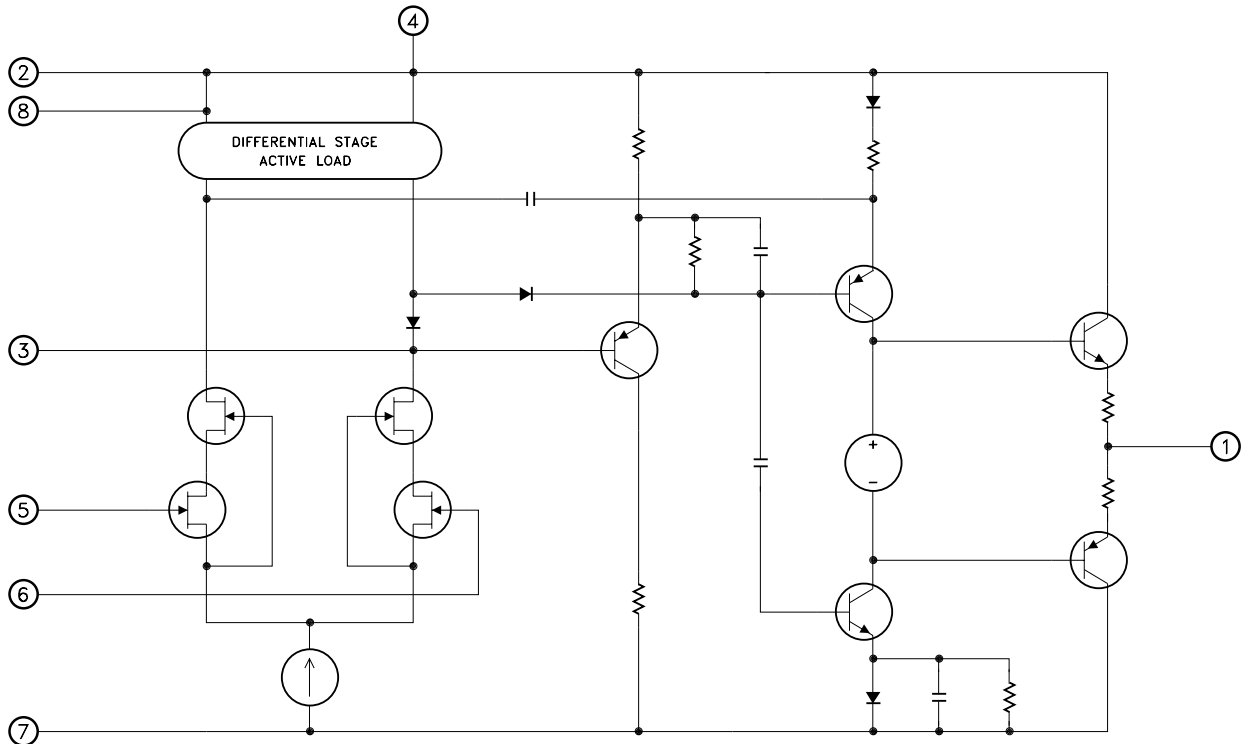
- Stable at Low Gain
- Fast Slew Rate - 1200V/ $\mu$ s Typical
- Gain Bandwidth Product - 1200 MHz Typical
- Low Quiescent Current -  $\pm 14.0$  mA Typical
- Low Offset - 2 mV Maximum
- Drop In Replacement for OPA 3554 and TP 3554
- High Output Current -  $\pm 100$ mA Minimum
- Contact MSK for MIL-PRF-38534 Qualification Status



**DESCRIPTION:**

The MSK 3554 is a pin compatible, low gain stable, drop-in replacement for the OPA 3554 and TP 3554. The MSK 3554 does not exhibit high frequency output oscillations like other versions of the 3554 when operated at closed loop gains of less than 55 V/V. The extremely low input bias current and input offset voltage ratings coupled with a high slew rate and wide bandwidth make the MSK 3554 an excellent choice for fast D/A converters, buffers, pulse amplifiers and other high speed op-amp applications. The MSK 3554 is packaged in an 8-pin TO-3 using thick film hybrid technology to obtain high reliability and compact size.

**EQUIVALENT SCHEMATIC**



**TYPICAL APPLICATIONS**

- Fast D/A Converters
- Pulse Amplifiers
- Video Instrumentation
- Fast Buffer/Follower
- Video Frequency Filters

**PIN-OUT INFORMATION**

- |                         |                         |
|-------------------------|-------------------------|
| 1 Output                | 8 Balance 2             |
| 2 Positive Power Supply | 7 Negative Power Supply |
| 3 Compensation          | 6 Non-Inverting Input   |
| 4 Balance 1             | 5 Inverting Input       |

## ABSOLUTE MAXIMUM RATINGS <sup>①</sup>

$\pm V_{CC}$	Supply Voltage . . . . .	$\pm 18V$	$T_{ST}$	Storage Temperature Range	$-65^{\circ}C$ to $+150^{\circ}C$
$I_{OUT}$	Peak Output Current . . . . .	$\pm 150mA$	$T_{LD}$	Lead Temperature Range	$300^{\circ}C$ (10 Seconds)
$V_{IN}$	Differential Input Voltage . . . . .	$\pm 25V$	$P_D$	Power Dissipation . . . . .	See Curve
$T_C$	Case Operating Temperature		$T_J$	Junction Temperature . . . . .	$175^{\circ}C$
	MSK 3554B . . . . .	$-55^{\circ}C$ to $+125^{\circ}C$			
	MSK 3554 . . . . .	$-40^{\circ}C$ to $+85^{\circ}C$			

## ELECTRICAL SPECIFICATIONS

Parameter	Test Conditions	Group A Subgroup	MSK 3554B/E			MSK 3554			Units
			Min.	Typ.	Max.	Min.	Typ.	Max.	
<b>STATIC</b>									
Supply Voltage Range <sup>③</sup>		-	$\pm 12$	$\pm 15$	$\pm 18$	$\pm 12$	$\pm 15$	$\pm 18$	V
Quiescent Current	$V_{IN} = 0V$	1	-	$\pm 14$	$\pm 20$	-	$\pm 14$	$\pm 20$	mA
	$A_V = -1V/V$	2,3	-	-	$\pm 30$	-	-	-	mA
Thermal Resistance <sup>③</sup>	Junction to Case Output Devices	-	-	37	-	-	37	-	$^{\circ}C/W$
<b>INPUT</b>									
Input Offset Voltage	Bal.Pins = N/C $V_{IN} = 0V$ $A_V = -10V/V$	1	-	$\pm 0.5$	$\pm 2.0$	-	$\pm 0.5$	$\pm 3.0$	mV
Input Offset Voltage Drift	$V_{IN} = 0V$	2,3	-	$\pm 20$	$\pm 50$	-	$\pm 20$	-	$\mu V/^{\circ}C$
Input Offset Adjust <sup>③</sup>	$R_{POT} = 20K\Omega$ To $+V_{CC}$ $A_V = -1V/V$	1,2,3	Adjust to Zero			Adjust to Zero			mV
Input Bias Current <sup>⑩</sup>	$V_{CM} = 0V$ Either Input	1	-	$\pm 10$	$\pm 50$	-	$\pm 20$	$\pm 100$	pA
		2,3	-	$\pm 10$	$\pm 50$	-	-	-	nA
Input Offset Current	$V_{CM} = 0V$	1	-	$\pm 2.0$	$\pm 25$	-	$\pm 2.0$	$\pm 30$	pA
		2,3	-	$\pm 2.0$	$\pm 30$	-	-	-	nA
Input Impedance <sup>③</sup>	F = DC Differential	-	-	$10^{11}$	-	-	$10^{11}$	-	$\Omega$
Power Supply Rejection Ratio <sup>③</sup>	$\Delta V_{CC} = 10V$	-	80	110	-	80	110	-	dB
Input Noise Density <sup>③</sup>	F = 1KHz	-	-	15	-	-	15	-	$nV/\sqrt{Hz}$
Input Noise Voltage <sup>③</sup>	F = 10Hz To 1MHz	-	-	10.0	-	-	10.0	-	$\mu V_{rms}$
<b>OUTPUT</b>									
Output Voltage Swing	$R_L = 100\Omega$	4	$\pm 10.5$	$\pm 12$	-	$\pm 10$	$\pm 12$	-	V
Output Current	$T_J < 150^{\circ}C$	4	$\pm 100$	$\pm 120$	-	$\pm 100$	$\pm 120$	-	mA
Settling Time <sup>② ③</sup>	0.1% 10V step	4	-	120	150	-	120	150	nS
Power Bandwidth <sup>③</sup>	$R_L = 100\Omega$ $V_O = \pm 10V$ $C_C = 0$	4	16	19	-	15	19	-	MHz
Bandwidth (Small Signal) <sup>③</sup>	$C_C = 0$	4	70	90	-	70	90	-	MHz
<b>TRANSFER CHARACTERISTICS</b>									
Slew Rate	$V_{OUT} = \pm 10V$ $R_L = 100\Omega$ $C_C = 0$	4	800	1200	-	750	1200	-	$V/\mu S$
Open Loop Voltage Gain <sup>③</sup>	$C_C = 0$ $R_L = 100\Omega$ F = 1KHz $V_{OUT} = \pm 10V$	4	90	96	-	88	96	-	dB

### NOTES:

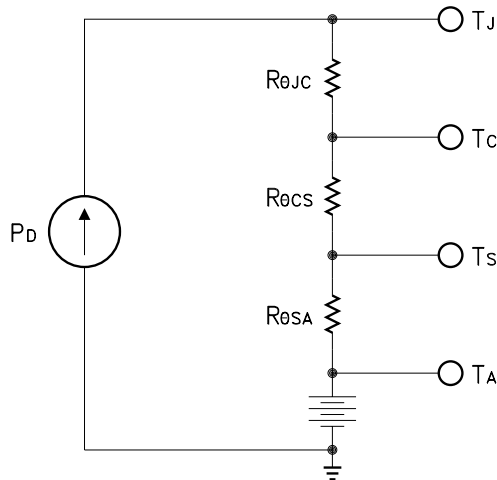
- ① Unless otherwise specified  $\pm V_{CC} = \pm 15VDC$
- ②  $A_V = -1$ , measured in false summing junction circuit.
- ③ Devices shall be capable of meeting the parameter, but need not be tested. Typical parameters are for reference only.
- ④ Industrial grade and "E" suffix devices shall be tested to subgroups 1 and 4 unless otherwise specified.
- ⑤ Military grade devices ('B' suffix) shall be 100% tested to subgroups 1,2,3 and 4.
- ⑥ Subgroup 5 and 6 testing available upon request.
- ⑦ Subgroup 1,4  $T_A = T_C = +25^{\circ}C$
- ⑧ Subgroup 2,5  $T_A = T_C = +125^{\circ}C$
- ⑨ Subgroup 3,6  $T_A = T_C = -55^{\circ}C$
- ⑩ Measurement taken .5 second after application of power using automatic test equipment.
- ⑪ Continuous operation at or above absolute maximum ratings may adversely effect the device performance and/or life cycle.

## APPLICATION NOTES

### HEAT SINKING

Refer to the following thermal model and governing equations to determine appropriate heat sinking for your application.

#### Thermal Model:



#### Governing Equation:

$$T_J = P_D \times (R_{\theta JC} + R_{\theta CS} + R_{\theta SA}) + T_A$$

Where

- $T_J$  = Junction Temperature
- $P_D$  = Total Power Dissipation
- $R_{\theta JC}$  = Junction to Case Thermal Resistance
- $R_{\theta CS}$  = Case to Heat Sink Thermal Resistance
- $R_{\theta SA}$  = Heat Sink to Ambient Thermal Resistance
- $T_C$  = Case Temperature
- $T_A$  = Ambient Temperature
- $T_S$  = Sink Temperature

#### Example:

This example demonstrates a worst case analysis for the op-amp output stage. This occurs when the output voltage is 1/2 the power supply voltage. Under this condition, maximum power transfer occurs and the output is under maximum stress.

Conditions:

- $V_{CC} = \pm 16\text{VDC}$
- $V_O = \pm 8\text{Vp}$  Sine Wave, Freq. = 1KHZ
- $R_L = 100\Omega$

For a worst case analysis we will treat the +8Vp sine wave as an 8 VDC output voltage.

1.) Find Driver Power Dissipation

$$\begin{aligned} P_D &= (V_{CC} - V_O) (V_O / R_L) \\ &= (16\text{V} - 8\text{V}) (8\text{V} / 100\Omega) \\ &= .64\text{W} \end{aligned}$$

2.) For conservative design, set  $T_J = +125^\circ\text{C}$

3.) For this example, worst case  $T_A = +90^\circ\text{C}$

4.)  $R_{\theta JC} = 37^\circ\text{C/W}$  from MSK 3554B Data Sheet

5.)  $R_{\theta CS} = 0.15^\circ\text{C/W}$  for most thermal greases

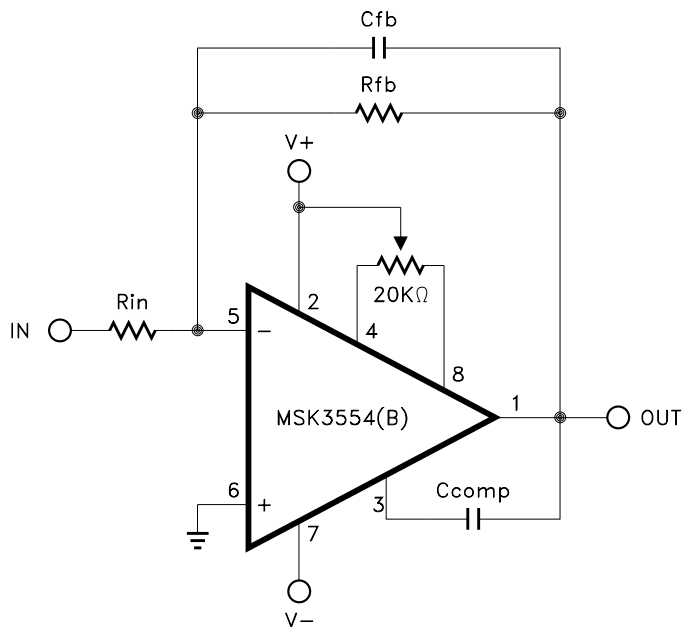
6.) Rearrange governing equation to solve for  $R_{\theta SA}$

$$\begin{aligned} R_{\theta SA} &= ((T_J - T_A) / P_D) - (R_{\theta JC}) - (R_{\theta CS}) \\ &= ((125^\circ\text{C} - 90^\circ\text{C}) / .64\text{W}) - 37^\circ\text{C/W} - .15^\circ\text{C/W} \\ &= 54.7 - 37.15 \\ &= 17.54^\circ\text{C/W} \end{aligned}$$

The heat sink in this example must have a thermal resistance of no more than  $17.54^\circ\text{C/W}$  to maintain a junction temperature of no more than  $+125^\circ\text{C}$ .

### OFFSET NULL

Typically, the MSK 3554(B) has an input offset voltage of less than  $\pm 0.5\text{mV}$ . If it is desirable to adjust the offset closer to "zero", or to a value other than "zero", the circuit below is recommended.  $R_p$  should be a ten-turn  $20\text{K}\Omega$  potentiometer. Typical offset adjust is  $\pm 20\text{mV}$ .



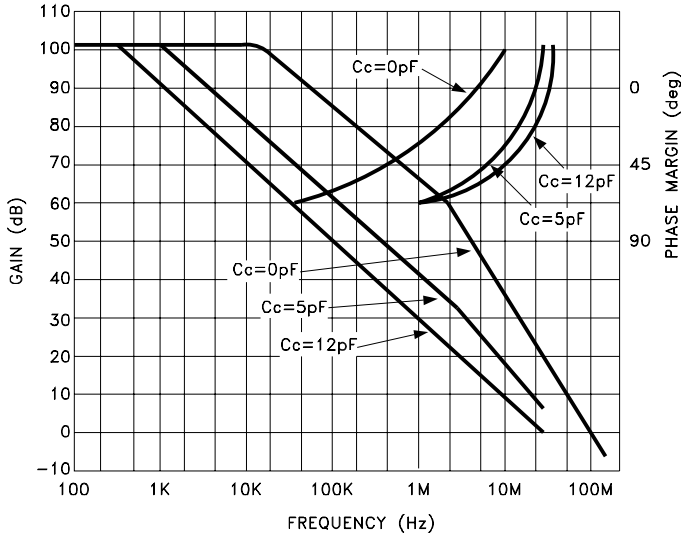
### COMPENSATION

The compensation capacitor is connected between pins 1 and 3 and is used to optimize bandwidth and slew rate while maintaining circuit stability. The effect of compensation capacitance can be seen in the Bode Plot under the Typical Performance Curves. As closed loop gain increases, compensation capacitance can decrease and higher slew rates and wider bandwidths will be realized. See the component selection table for recommended values of input and feedback resistance as well as feedback capacitance and compensation capacitance.

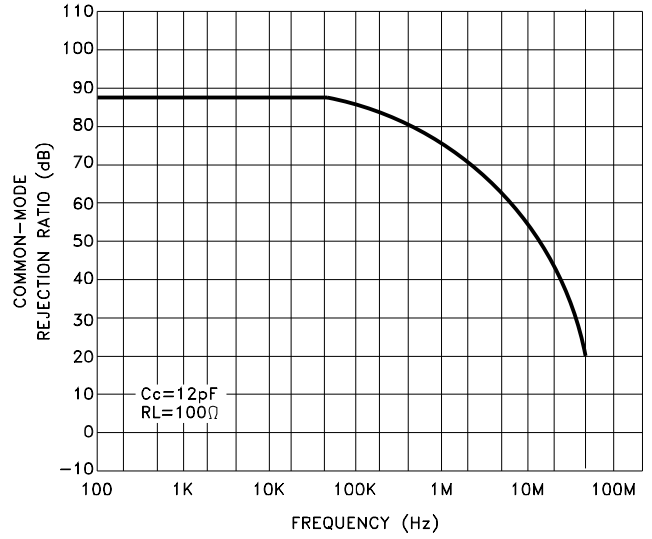
COMPONENT SELECTION TABLE				
GAIN	$R_{in}$	$R_{fb}$	$C_{fb}$	$C_{comp}$
-1	$5.6\text{K}\Omega$	$5.6\text{K}\Omega$	$2.0\text{pF}$	$10\text{pF}$
-10	$560\Omega$	$5.6\text{K}\Omega$	$1.2\text{pF}$	$10\text{pF}$
-100	$100\Omega$	$10\text{K}\Omega$	$0.0\text{pF}$	$0.0\text{pF}$
follower	$0\Omega$	$0\Omega$	$0\text{pF}$	$12\text{pF}$

# TYPICAL PERFORMANCE CURVES

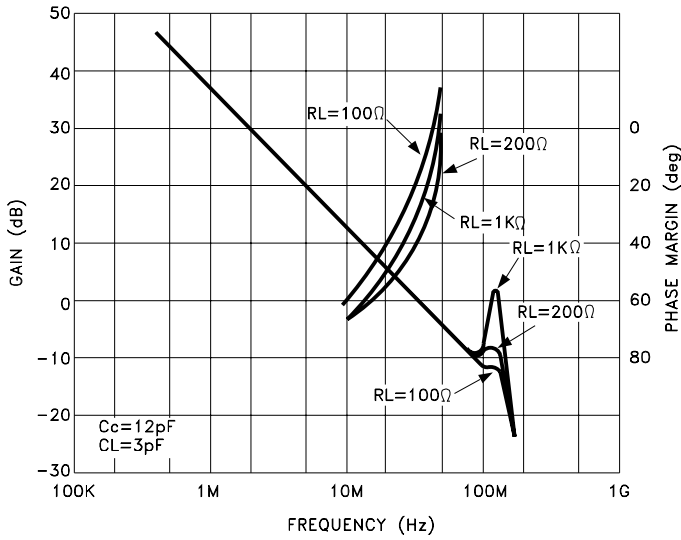
BODE PLOT



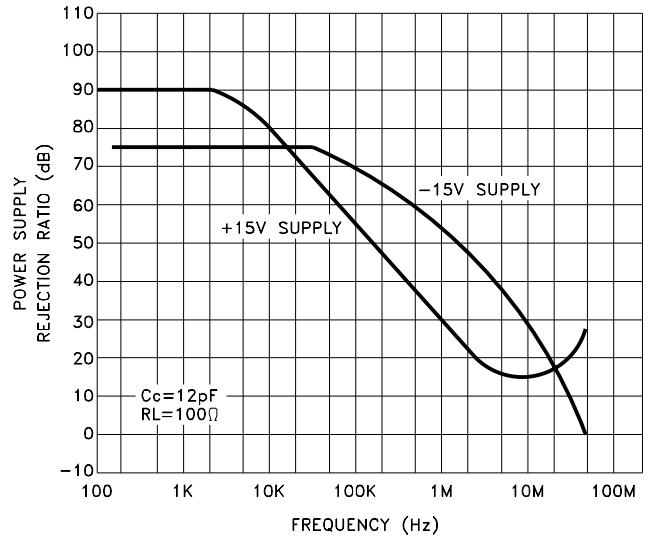
CMRR vs FREQUENCY



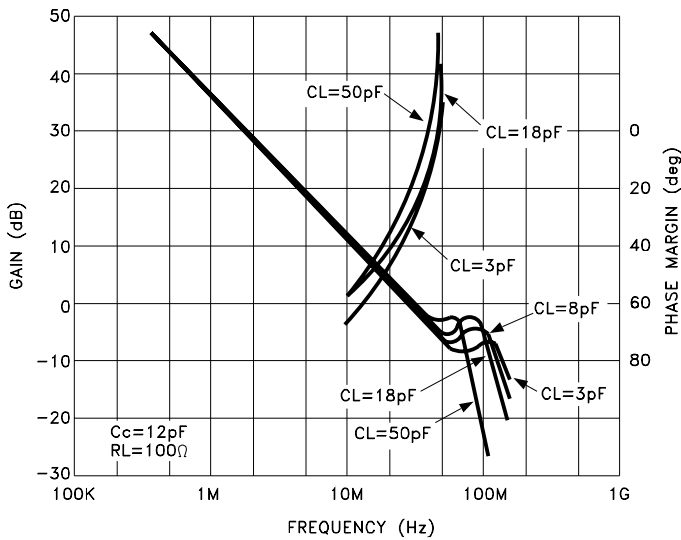
GAIN AND PHASE vs FREQUENCY FOR VARIABLE  $R_L$



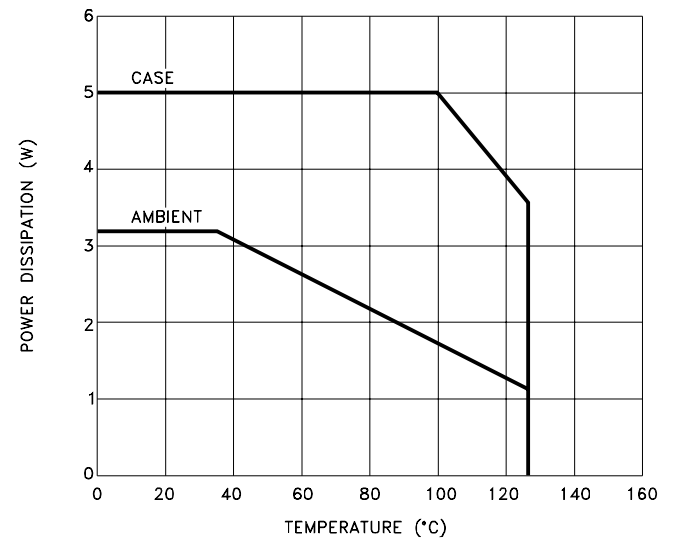
PSRR vs FREQUENCY



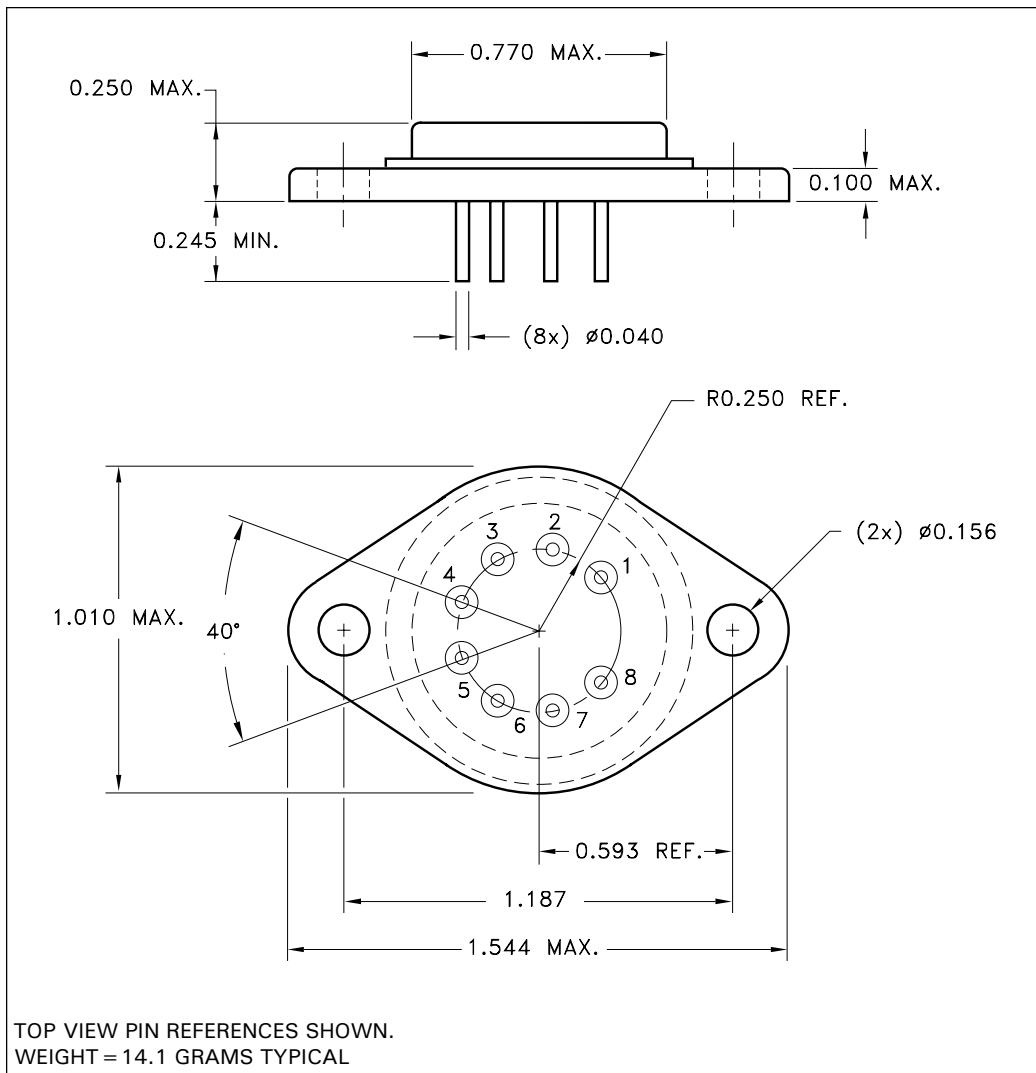
GAIN AND PHASE vs FREQUENCY FOR VARIABLE  $C_L$



MAXIMUM POWER DISSIPATION



## MECHANICAL SPECIFICATIONS



ALL DIMENSIONS ARE  $\pm 0.010$  INCHES UNLESS OTHERWISE LABELED

## ORDERING INFORMATION

Part Number	Screening Level
MSK3554	Industrial
MSK3554E	Extended Reliability
MSK3554B	Mil-PRF-38534 Class H

M.S. Kennedy Corp.  
4707 Dey Road, Liverpool, New York 13088  
Phone (315) 701-6751  
FAX (315) 701-6752  
www.mskennedy.com

The information contained herein is believed to be accurate at the time of printing. MSK reserves the right to make changes to its products or specifications without notice, however, and assumes no liability for the use of its products. Please visit our website for the most recent revision of this datasheet.